

ALL ALUMINUM METAL JOINER BULKHEAD PANELS (HONEYCOMB CONSTRUCTION)



TÉCNICO CORPORATION	NOMENCLATURE CATEGORY PANEL, ALUMINUM METAL JOINER HONEYCOMB	PART No. TEC-4623540AL
----------------------------	--	---------------------------

- NO TOXIC FUME OR SMOKE HAZARD
- HIGH STRENGTH/WEIGH RATIO
- NON HYDROSCOPIC

STANDARD SIZES

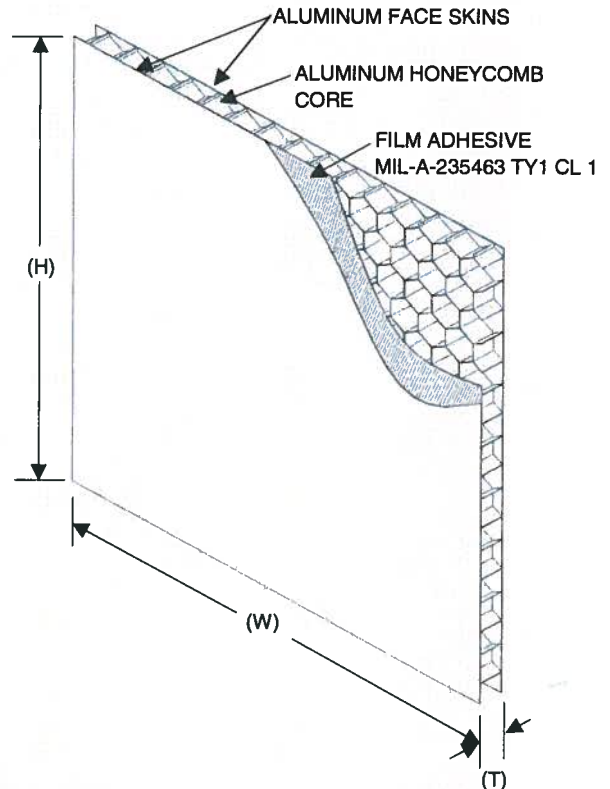
(W) 48" MAX. x (H) 96" x (T) 5/8" THICK

TYPICAL APPLICATIONS

- MJ BULKHEADS
- BERTHING PARTITIONS
- WATERCLOSET PARTITIONS W/CLOSE OUT EDGES

AVAILABLE WITH

- ALUMINUM ERECTION MEMBERS (H POSTS, CORNER POSTS, ETC.)
- DECORATIVE FINISH (HPPL, VINYL)
- CORROSION RESISTANT COATING (CR) (CORE OR FACES)



PANEL OPTIONS:

HONEY COMB CORE	FACE MATERIAL	WEIGHT
ALUMINUM ALLOY	.020 7075-T6 ALUM	.9 LBS/SQFT
ALUMINUM ALLOY	.020 7075-T6/HPPL***	1.1 LBS/SQFT
ALUMINUM ALLOY	.032 6061-T6	1.2 LBS/SQFT
ALUMINUM ALLOY	.032 6061-T6/HPPL***	1.3 LBS/SQFT
ALUMINUM ALLOY	.045 6061 - T6/5	1.6 LBS/SQFT
ALUMINUM ALLOY	.045 6061-T6/HPPL	1.8 LBS/SQFT

Notes:

- * MOD SIZES ARE AVAILABLE
- **ALL PANELS MEET STRENGTH AND GENERAL NOTE ON NAVSHIP 804-4623540 Rev A
- ***HPPL .032 or .050" THICK TYPES AVAILABLE. COLOR TBD BY CUSTOMER

TITLE PANEL, METAL JOINER, ALUMINUM, HONEYCOMB	DRAWING NUMBER 804-4623540	REV A	SPECS
--	--------------------------------------	-----------------	--------------

PART NO. TEC-4623540AL